



Kapture Group, Inc

Sliding Back and Stitching Back Solutions for large and small format view cameras



Standard Sliding Back Adapter

The Kapture Group standard sliding back is designed for basic view camera operation and allows both portrait and landscape digital view camera photography. The Kapture Group Standard Sliding Back Adapter KG-007 mounts directly onto the rear standard of your view camera. Interface plates are available for Arca-Swiss, Cambo, Horseman, Sinar, Linhof, Toyo, Rollei Xact 2, Universal Graflok and many others. Most medium format view cameras are also supported. Each unit

includes the view camera Interface plate and the rotatable drop-in insert for landscape and portrait imaging. All Kapture Group sliding backs accept Hasselblad viewfinders for framing and composition. The included drop-in interface plate is available in Phase One 645AF/DF, Hasselblad V, Hasselblad H series, Mamiya 645AFD and Contax 645 mount. Adapter plates for the Sinar Hy6 and Leaf AFi digital cameras are also available. The drop-in inserts are rotatable and allow landscape or portrait orientation of your digital back. Kapture Group Sliding Back adapters incorporate a bright custom Maxwell Precision Optics focus screen. When ordering please specify your digital back model number so the correct screened mask can be installed.

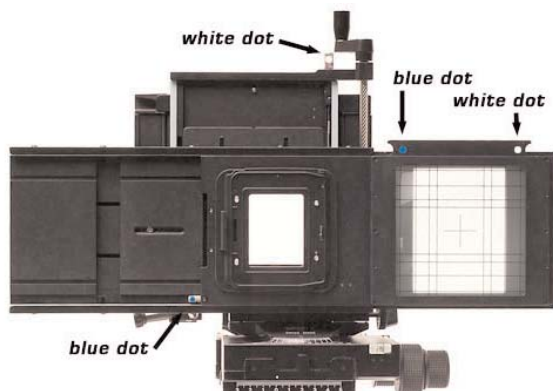
Cat# KG-007 - \$1995.00



3 Position Stitching Back Adapter

This stitching back can be mounted to just about any view camera. Interface plates are available for Arca-Swiss, Cambo, Horseman, Sinar, Linhof, Toyo, Rollei Xact 2, Universal Graflok and many others. Most medium format view cameras are also supported. You can shoot single, double or triple captures to increase both file size and field of view at the flick of a switch. Each unit includes the view camera Interface plate and the rotatable drop-in insert for landscape or portrait imaging. Kapture Group Sliding Back adapters incorporate a bright custom Maxwell Precision Optics focus screen.

Cat# KG-008STI - \$2595.00



QuadStitch Sliding Back Adapter

Our most versatile and user friendly 4 by 5 stitching back available. Color coded drop-in masks for the 8 framing options correspond to color coded rotating stops make setup a snap. The extremely smooth sliding and cranking action of the QuadStitch eliminates potential camera movement between captures for pixel perfect stitches



stops rotate from red to white to blue

every time. Once obsolete wide-angle view camera lenses regain their wide-angle field of view and normal focal length lenses no longer act as strictly telephoto. Lens designs to cover 4 by 5 film now create digital images up to 7835 by 10522 pixels using a 22 MP digital back. Digital backs with 39 MP sensors are also supported for even larger

file sizes. The QuadStitch is available for Hasselblad V, Hasselblad H shown above, Mamiya 645AFD and Contax 645 mount digital backs. Adapter plates for the Sinar Hy6 and Leaf AFi digital cameras are also available.

Cat# KG-QUAD - \$4995.00



Kapture Group, Inc

Sliding Back Adapter for the Arca Swiss Rm3d Technical Camera

Introducing the **Kapture Group Sliding Back KG-007AST** configured exclusively for the **Arca Swiss Rm3d** technical camera. This Sliding Back seamlessly integrates your Arca Swiss Rm3d to our most compact sliding back. A new feature permits the discriminating photographer to fine tune the plane of focus (if needed) precisely to any given digital back. Our included ultra flat Maxwell Precision Optics focus screen is tuned for increased performance with wide angle digital lenses.



The **included** drop-in digital back inserts are rotatable allowing choice of landscape or portrait mounting of your digital back. The smooth sliding action coupled with the flexibility to use **existing Hasselblad-V viewfinders** makes for a compact and economical sliding back package for the Arca Swiss Rm3d.

Available mounts for:

Hasselblad-V

Hasselblad-H

PhaseOne 645 AF/DF

Mamiya 645AF/AFD

Contax 645

Cat # KG-007AST - \$1995.00

**Kapture Group Inc.
6319 Groban Way
Osage Beach, MO 65065
USA**

**(800) 879-4955
(573) 302-1969**

**sales@kapturegroup.com
www.kapturegroup.com**



Kapture Group, Inc

OneShot Cable Release Systems

Standard OneShot Cable Release

The OneShot Cable Release PHA-001 for view camera and non-Hasselblad medium format application eliminates the need to pre-release or wake-up your digital back. Without the OneShot you have to fire your shutter once and then re-cock the shutter a second time and fire again to capture an image. When configured as shown below the OneShot cable release operates just like a regular cable release eliminating the need to fire your shutter twice. All OneShot Cable Releases are available with the P series multi pin or the older H sub mini connector.



Cat# - PHA-001 - \$395.00



Wide OneShot Cable Release

The wide version of the OneShot Cable release is identical to the Standard OnShot with the exception that the coiled cable that connects to the digital back is shorter by 50%. Ideal for use with wide technical cameras.

Cat# - PHA-001W - \$395.00



OneShot For Sinar DB Auto Aperture Shutter

The Kapture Group OneShot Cable Release Adapter allows one shot image capture with your Sinar DB Auto Aperture Shutter. This device is available with the P series multi pin or the older H sub mini connector. The OneShot Cable Release Adapter is designed to work with your existing Sinar Auto Aperture Shutter, Sinar Auto Aperture sync cord and Sinar Auto Aperture cable release. It is used instead of the standard OneShot Cable Release.

Cat# - PHA-001DB - \$595.00



Multi Shot & Long Exposure

The Kapture Group Multi Shot & Long Exposure control unit is designed to allow multiple exposures on a single digital capture and allow you to make long exposures for applications such as digital light painting or multi pop flash shots.

This device is available with the P series multi pin or the older H sub mini connector. It provides the wake up signal and controls the duration of the sync signal to the digital back. This permits the user to layer multiple flash or multiple exposures onto a single digital capture.

Cat# PHA-001MS - \$199.00



Kapture Group, Inc

OneShot Cable Release Systems - *continued*

OneShot Cable Release for Hasselblad 200 and 2000 Bodies



The Hasselblad OneShot HA-001 Cable Release allows you to use your Hasselblad and Imacon digital backs on the Hasselblad 200 and 2000 series camera bodies.

Cat # - HA-001 - \$395.00

Cat # - SN-001 - \$395.00

The Sinar OneShot Cable Release SN-001 allows you to use your Sinar and Jenoptik digital backs on the Hasselblad 200 and 2000 series camera bodies

Bronica ETRSi and SQAi Adapter Plates

Shown with optional OneShot Cable Release.



The Bronica ETRS and SQAi adapters are available for all Hasselblad mount digital backs. Flash sync is maintained at all shutter speeds. The new notch at the top assures easy removal of your viewfinder while the adapter plate is still attached. Available in Hasselblad-V mount only.



Cat # - KG-SQA \$895.00

Cat # - KG-ETR \$895.00

Recessed Lensboards for large and small format view cameras

Kapture Group Recessed Lensboards are available for the following view cameras.

Sinar 4x5 - 25mm - \$229.00

Sinar 4x5 - 50mm - \$279.00

Sinar P3 - 12.5mm - \$199

Arca-Swiss M69 - 25mm - \$199.00

Horseman 4x5 - 25mm - \$229.00

Horseman 4x5 - 50mm - \$279.00



Others available on special order



Kapture Group, Inc

Fuji GX 680 Rotating Digital Back Solutions

Standard Fuji GX 680 Solution



The Standard Fuji GX680 Digital Solution is designed to work with the Fuji GX680 I, II & III camera bodies. The rotating adapter plate allows quick rotation of your digital back from portrait to landscape orientation. The standard version is available in Hasselblad V, Mamiya 645AFD Phase One 645AF/DF or Contax 645 mount.

When ordering please specify your digital back model number so the correct masking can be supplied. A keyboard enabled OneShot may be required for triggering from the computer or from the control module located at the camera. A supplied 10 foot extension cable also connects to the control module for remote operation.

Cat# - KG-004A - \$895.00

Fuji GX680 Stitching Adapter



The Kapture Group Fuji GX680 Stitching Adapter KG-FS enables the stitching of 2 images in either landscape or portrait orientation. This creates nearly double the file size and field of view. A center detent for single image capture is also provided. The adapter rotates 90 degrees giving you a total of 4 aspect ratios to choose from.

When ordering please specify your digital back model number so the correct masking can be supplied. A keyboard enabled OneShot may be required for triggered from the computer or from the control module located at the camera. A supplied 10 foot extension cable connects to the control module for remote operation.

Cat# KG-FS -\$1995.00

Hasselblad H, Sinar Hy6 and Leaf AFi Adapter



The Fuji GX 680 Hasselblad H, Sinar Hy6 and Leaf AFi rotating adapter plates are designed for use with Hasselblad H, Hy6 and AFi digital backs consists of two components, the rotating adapter plate and a replacement focus screen assembly. The focus screen assembly incorporates a bright custom Maxwell Precision Optics focus screen with landscape and portrait masking.

An integrated Hasselblad V viewfinder adapter is incorporated into the replacement focus screen assembly. The addition of a matching focus screen insert was required to maintain par focus given the shift in the focus plane of all 3 model digital backs. One tradeoff is that you loose the ability to focus at infinity due to the thickness of the adapter plate. However, for tabletop shooting and small sets the system preforms very well and allows you to use these digital backs on your Fuji GX 680.

Cat# - KG-004H (H6y) (AFi) - \$1495.00



Fuji OneShot

Cat# - LF-004B - \$495.00

Cat# - PHA-004B - \$495.00

Cat# - PBP-004B - \$395.00



Kapture Group, Inc

Live Video Solutions for large and small format view cameras



Please indicate your configuration when ordering. Example: Hasselblad/Sinar, Contax/Toyo or Mamiya/Graflok.



Cat # KG-LV - \$795.00

Kapture Group Live Video view cameras adapters are available in the following digital back configurations.

Hasselblad-V (Universal)

Hasselblad H Series

Mamiya 645AFD

Contax 645

Leaf AFi

Sinar Hy6

The 6 adapters above can be further configured to fit the following view cameras.

Sinar 4x5

Sinar P3

Cambo 2x3

Cambo 4x5

Linhof 4x5

Linhof 6x9

Arca-Swiss M69

Arca-Swiss 4x5

Rollei XAct2

Toyo 4x5

Toyo VX23D

Horseman 4x5

Universal Graflok

Contact Kapture Group, Inc.

**Kapture Group Inc.
6319 Groban Way
Osage Beach, MO 65065
USA**

(800) 879-4955

(573) 302-1969

sales@kapturegroup.com

www.kapturegroup.com